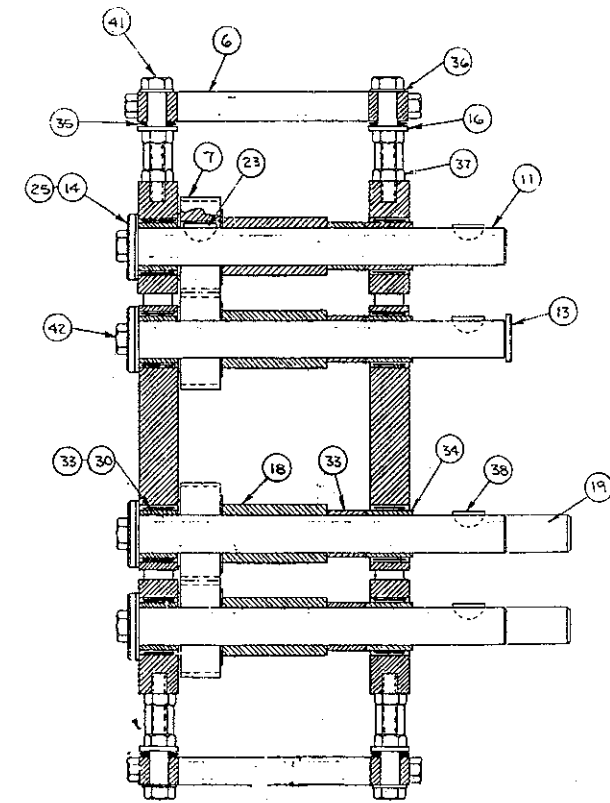


VIEW A-A



VIEW B-B

FOR BY-PASS OPTION ONLY
 OPTION 1 - USED ON LOWER SECTION OF
 TANDEM HD. STA. 1, 3, 6, 8 B
 TOP & BOTTOM. 8 PCS. REQ'D.
 ITEM No 11 24 PCS. REQ'D.

REQD	ITEM	SYMBOL	DESCRIPTION	WT.
36	45		3/16 X 1" SPRING PIN	
16	44			1 1/2 Lg.
30	43			1 1/4 Lg.
45	42			3/4 Lg.
32	41		3/8 NF HEX HD. CAP SCREW	3" Lg.
13	40	4165	GREASE BOLT	
	39			
32	38	*COT	WOODRUFF KEY	
64	37		3/8-24 NF HEX NUTS	
32	36		3/8 SAE FLAT WASHER	
32	35	Z12	SCHNOOR DISC SPRING	
32	34	1R161620		
32	33	1R1616		
1	32	1R242820		
2	31	1R242816	INNER RACE	
80	30	B2016		
2	29	4J283716		
13	28	B1416	NEEDLE BEARING	
26	27	TRA-1423	TORRINGTON THRUST WASHER	
2	26	TW150	BUNTING	
64	25		AMPLEX BRONZE WASHER	
1	24		3/8 X 1 1/2 Lg. KEY	
32	23	*808	WOODRUFF KEY	
1	22	4621-1	3/8 X 1 1/4 Lg. KEY	
2	21	1061075	BALL NUT MTC. PLATE	
	20			
AR	19	4615-3	SPINDLE-ROLLER DIE OPTION #1	
32	18	4267-4	SPACER-SPINDLE	
1	17	4617	SPACER-TRANSFER SHAFT	
32	16	4234	ADJUSTING SPOOL	
1	15	4219-4	END CAP WASHER	
32	14	4219-8	END CAP WASHER	
56	13	4219-1	END CAP WASHER	
1	12	6953	TRANSFER SHAFT	
32	11	4615-1	SPINDLE-ROLLER DIE	
13	10	4158-6	IDLER SHAFT	
1	9	4614	GEAR-TRANSFER	
13	8	4210	GEAR-IDLER	
32	7	4211	GEAR-SPINDLE (G-19)	
8	6	4166-5	SPREADER	
4	5	4271	HEAD RAIL	
32	4	4255	BEARING CAGE	
2	3	4167-6	POST-SPINDLE HOUSING (MODIFIED)	
34	2	4167-1	POST-SPINDLE HOUSING	
2	1	09549	SPINDLE HOUSING	

ENGEL EQUIPMENT INC. ST. LOUIS, MO.	DATE: 5-20-83 DRAWN: J24/3/83 CHKD: JRS	TANDEM ROLL HEAD ASSY B STATION	DWG NO: 09548
--	---	------------------------------------	---------------