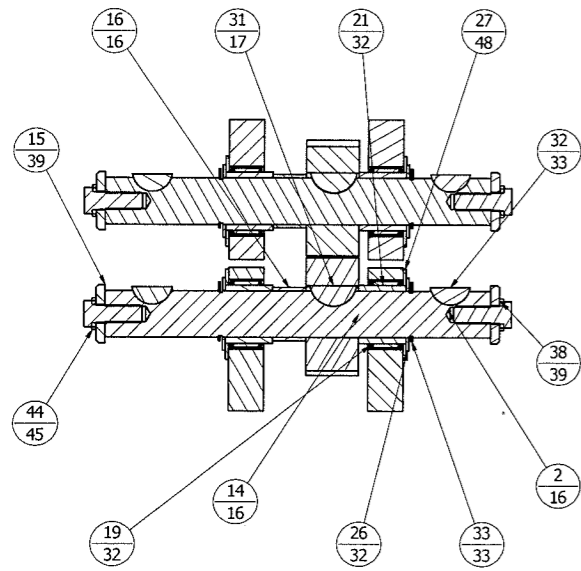
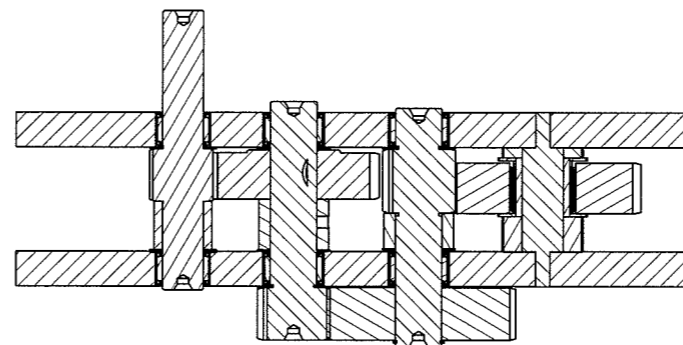
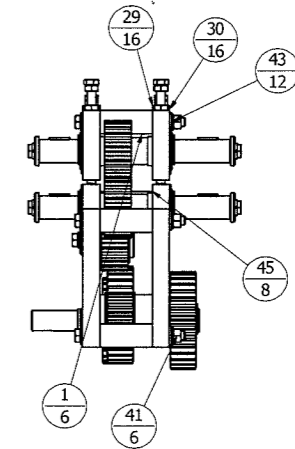
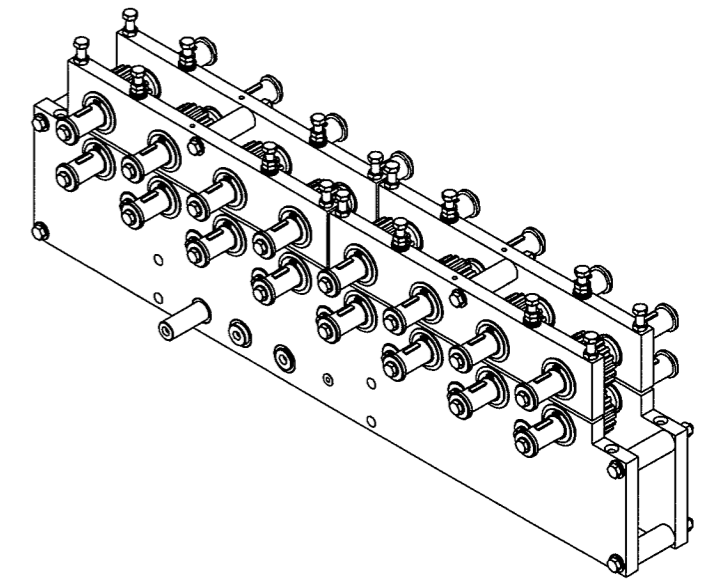
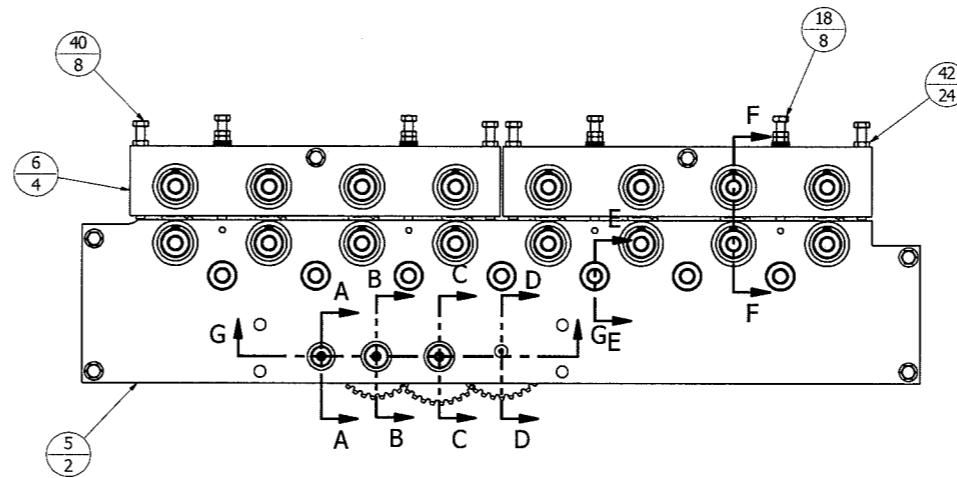
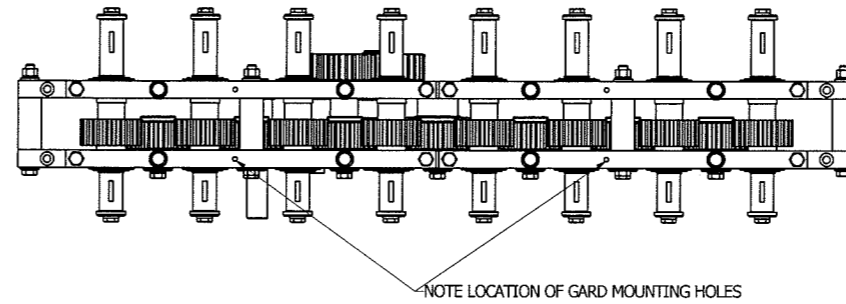
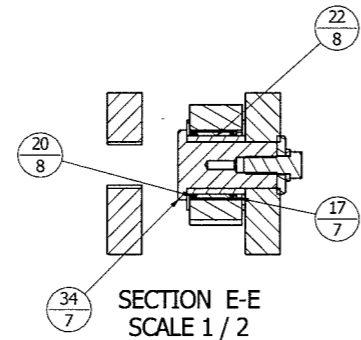
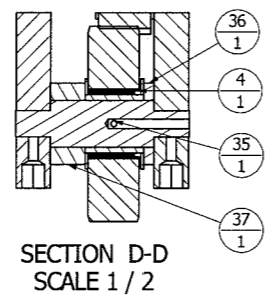
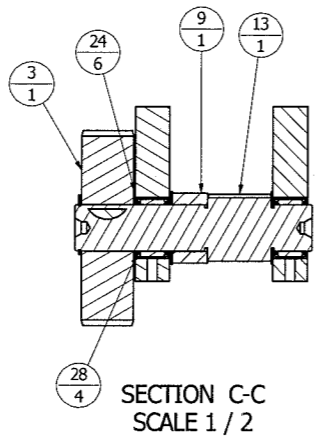
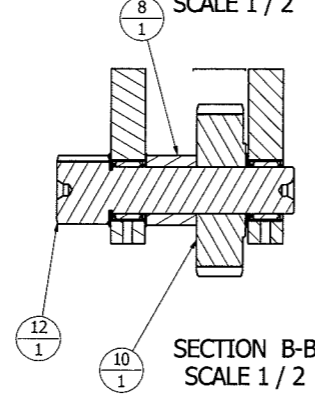
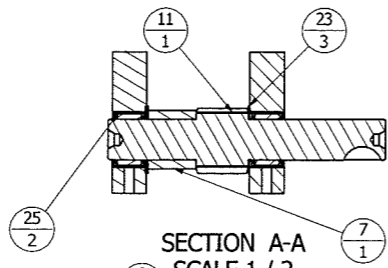


ITEM	QTY	PART NUMBER	MFG	PUR	DESCRIPTION
1	6	1085283	X		BEARING BLOCK SPREADER
2	16	11786	X		SPINDLE HB-500
3	1	11787	X		SPUR GEAR HB-500
4	1	11788	X		SPUR GEAR IDLER
5	2	11796	X		BOTTOM SPINDLE HOUSING
6	4	11797	X		UPPER BEARING CAGE
7	1	4147	X		SPACER PINION
8	1	4148-2	X		SPACER PINION NO3 SPEED REDUCER
9	1	4149-6	X		SPACER
10	1	4159-2	X		SPUR GEAR G-27
11	1	4178	X		PINION PRIMARY DRIVE SPEED REDUCER
12	1	4181	X		PINION NO 3 SPEED REDUCER
13	1	4182	X		PINION NO 3 SPEED REDUCER
14	16	4211-H	X		GEAR LOWER SPINDLE 2.5
15	39	4219-1	X		END CAP WASHER
16	16	4267-24	X		SPACER STANDARD
17	7	4994	X		GEAR 2.5
18	8	500006	X		3/8-24 X 5 LG HHCS TAP BOLT
19	32	511004	X		NEEDLE BEARING B 2012
20	8	511018	X		BEARING NEEDLE ROLLER B2016
21	32	511019	X		IR162016
22	8	511076	X		IR162020
23	3	511094	X		TRA1423
24	6	511096	X		TRA1625
25	2	511102-1	X		HJ1412 NEEDLE BEARING
26	32	511123	X		TRB1625
27	48	511129	X		TRB2031
28	4	511157	X		NEEDLE BEARING HJ1612
29	16	511165	X		TRA612
30	16	571093	X		DISC SPRING
31	17	572040	X		808 WDRUF
32	33	572057	X		607 WDRUF
33	33	573010	X		SNAP RING 63/64
34	7	9512-2	X		IDLERSHAFT HB500
35	1	9850-1	X		IDLER SHAFT SPEED REDUCER
36	1	9851	X		SPACER IDLER SHAFT GEAR REDUCER
37	1	9851-2	X		SPACER IDLER SHAFT GEAR REDUCER
38	39	ABB20601	X		HEX CAP SCREW 3/8-24 X 1
39	6	ABB206015	X		HEX CAP SCREW 3/8-24 X 1 1/2
40	8	ABB20604FT	X		3/8-24 X 4 HEAD TAP BOLT
41	6	ANA206Z	X		HEX NUT 3/8-24
42	24	ANF206Z	X		HEX JAM NUT ZINC PLATED 3/8-24
43	12	AWA206Z	X		Type A Plain Washer 3/8
44	45	AWA606Z	X		Helical Spring Lock Washer 3/8
45	8	BBA5050025	X		SET SCREW 5/16 X .25



NORMAL TOLERANCES (UNLESS OTHERWISE SPECIFIED)		TITLE BLOCK	
REMOVE ALL SHARP EDGES AND BURRS		D	
INSIDE & OUTSIDE CORNERS - .015/.030 [.38/.76] RADII		DRAWN BY:	DATE:
CHAMFER ALL HOLES/THREADS - .015/.030 [.38/.76] X 45°		PK/STP	3/4/2005
ALL THREADS = CLASS 2, RIGHT HAND		CHECK BY:	DATE:
ALL DIMENSIONS IN INCHES, METRIC EQUIVALENT IN BRACKETS [mm]			
THIRD ANGLE PROJECTION USED		WEIGHT:	SCALE:
ANGLE MACHINED: +/- .5°			1/4
ANGLE FORMED: +/- 1.0°		FINISH:	125 [32]

SURFACE TREATMENT		HEAT TREAT	
MATERIAL			
		<small>9122 REILLY AVE ST. LOUIS, MO 63111 PHONE: 314-638-0100 FAX: 314-638-6514</small>	
		<small>THIS DRAWING AND ALL INFORMATION THEREIN IS THE PROPERTY OF FORBES, INC. IT IS CONFIDENTIAL AND MUST NOT BE MADE PUBLIC OR COPIED. IT IS LOANED SUBJECT TO RETURN UPON DEMAND. IT IS NOT TO BE USED DIRECTLY OR INDIRECTLY IN ANY WAY DETRIMENTAL TO THE INTERESTS OF FORBES, INC.</small>	
		<small>DESCRIPTION SPINDLE HOUSING ASSEMBLY HB-800</small>	
		<small>DWG. NO./NAME 11799</small>	
		<small>REV</small>	

ZONE	REV	DESCRIPTION	ECO	DATE	AUTHOR

REVISION HISTORY

SHEET 1 OF 1