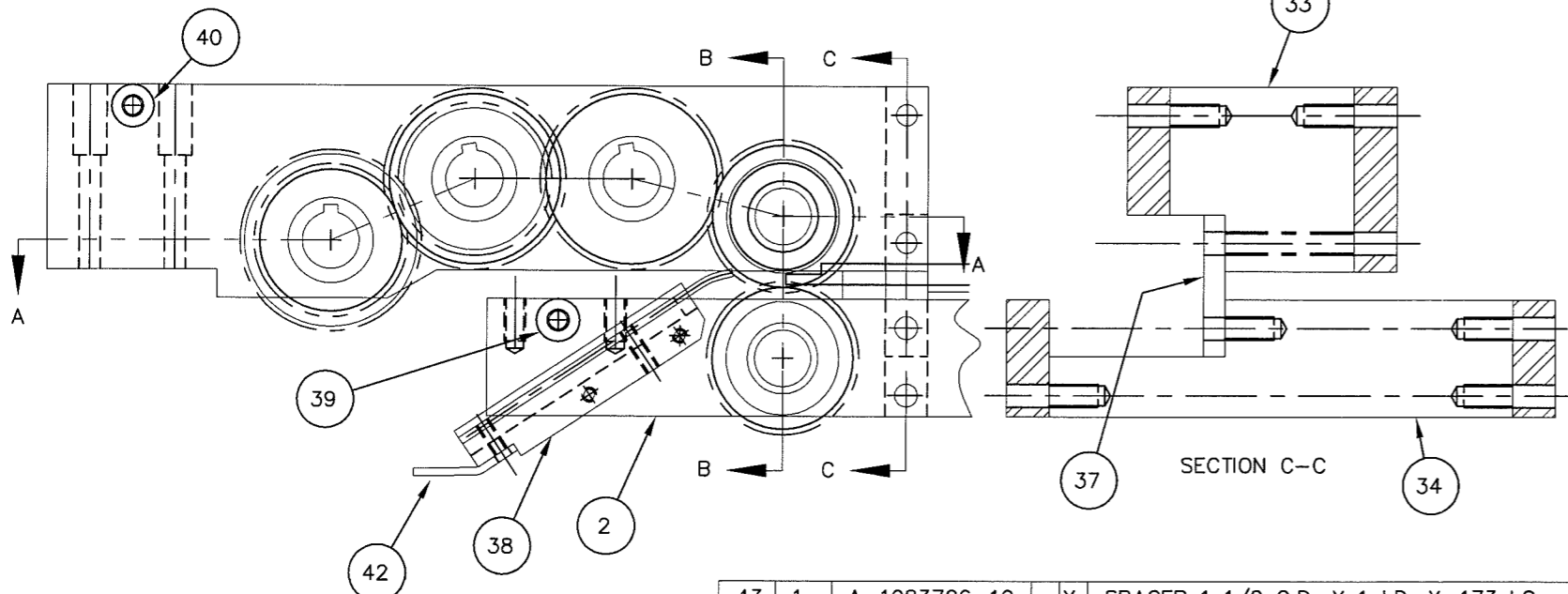
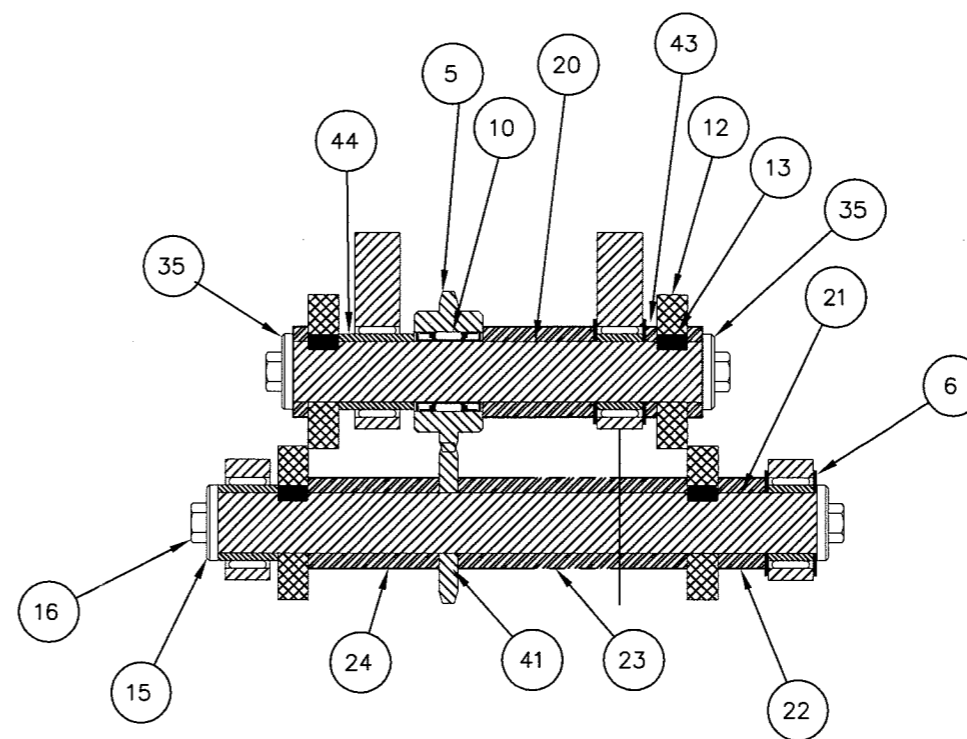
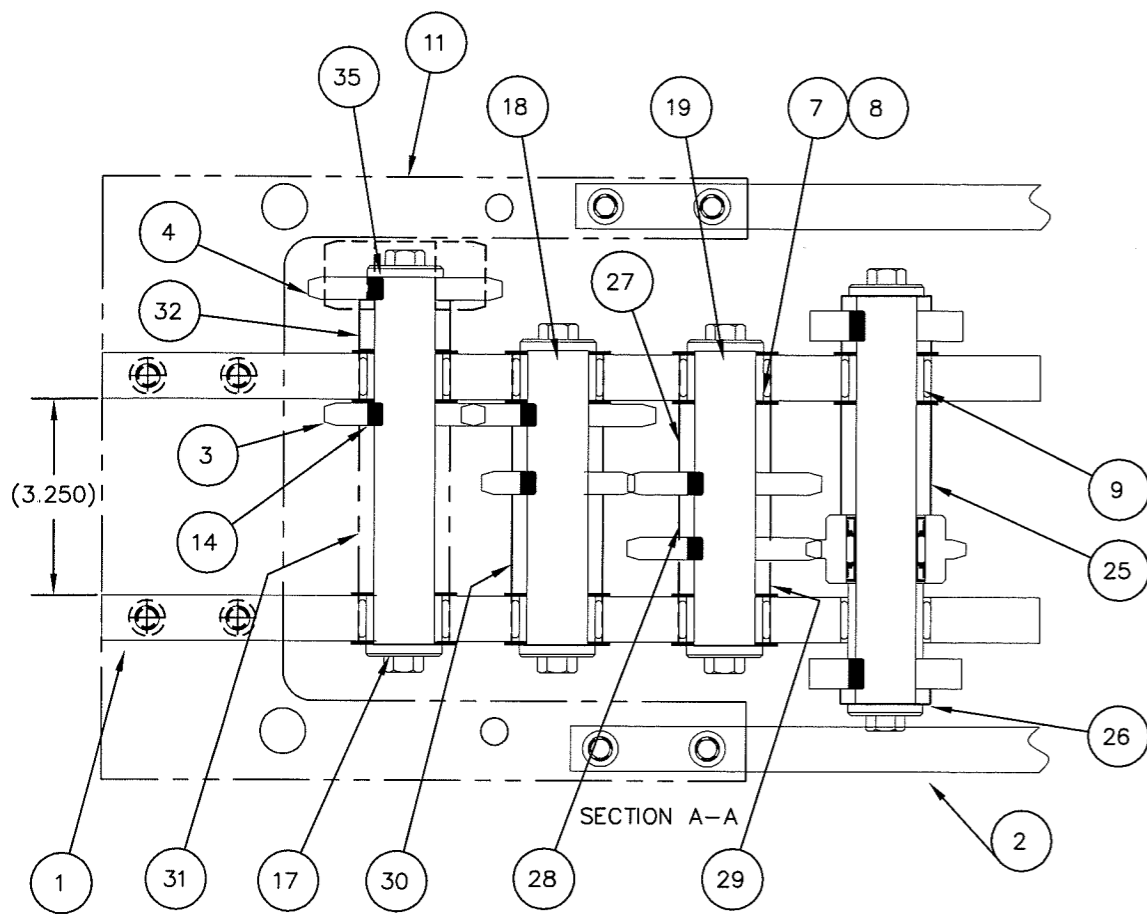


ITEM	QTY	REF	DATE	SCALE	DESCRIPTION
14	2	4167-14	X		POST
13	4	B-1083735	X		SLITTER TABLE SUPPORT STIFFENER
12	1	B-1083734	X		TABLE TOP GUIDE BAR
11	1	C-1083733	X		SLITTER TABLE TOP PLATE
10	1	B-1083741-1	X		SLITTER TABLE SUPPORT
9	1	B-1083741	X		SLITTER TABLE SUPPORT
8	1	B-1083740	X		EXTERNAL GUIDE TOP PLATE
7	2	B-1083736	X		ADJUSTABLE GUIDE BAR
6	2	B-1083739	X		EXTERNAL GUIDE BAR
5	1	B-1083738	X		EXTERNAL GUIDE BOTTOM PLATE
4	REF	C-4112	X		INFEEED/OUTFEED TABLE WELDMENT
3	REF	B-11473	X		INFEEED TABLE SUPPORT
2	1	C-1083544	X		SLITTER HOUSING ASS'Y
1	REF	D-11276	X		ROLLFORM MACHINE
					DISK PB-43


 DATE 1/27/00  
 SCALE 1/2  
 DRAWN PCE  
 CHECKED MTS  
 FINAL ASS'Y ROLLFORM SLITTER FOR U STYLE MACHINE  
 DWG NO. D-1083543-1



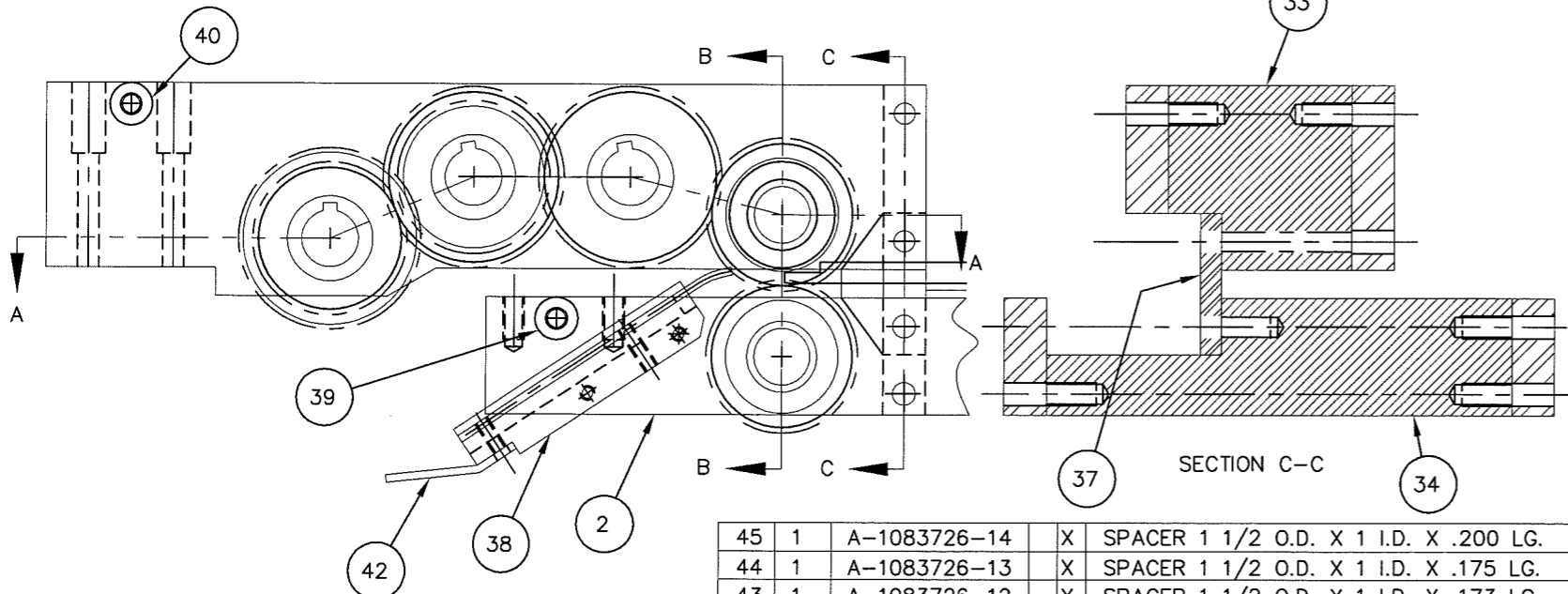
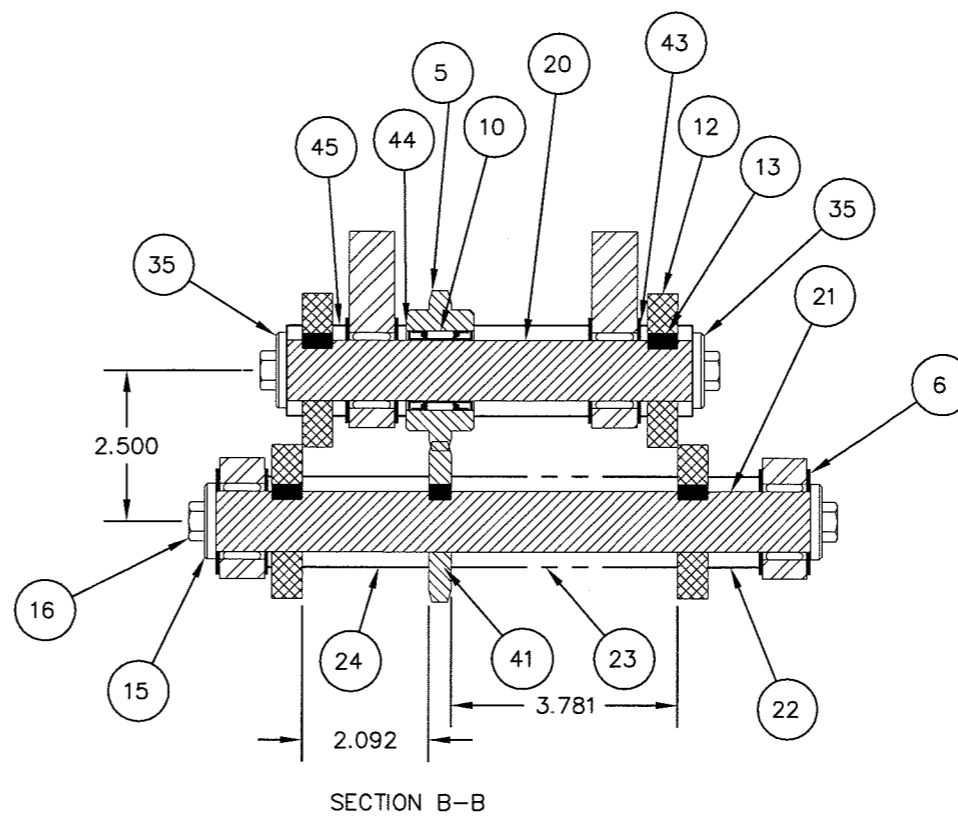
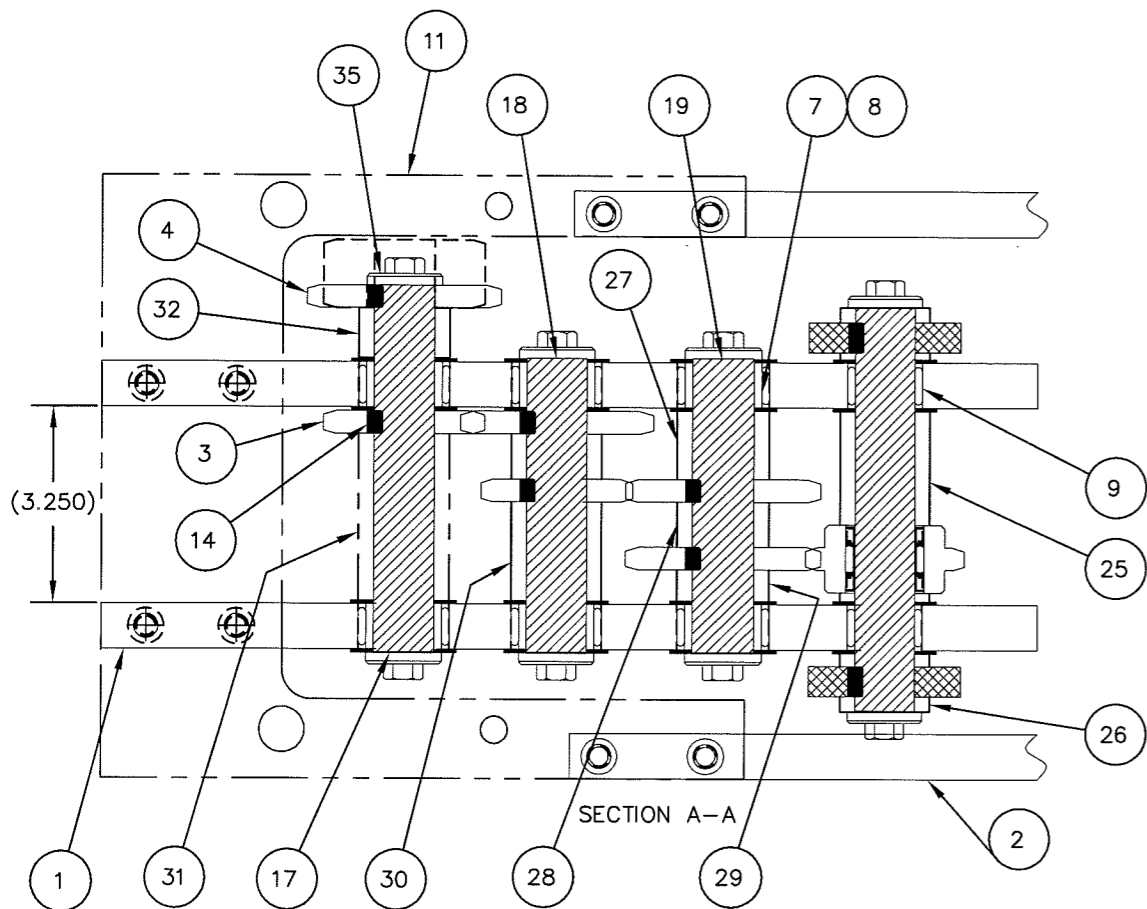
SECTION B-B

30	1	A-1083726-10	X	SPACER 1 1/2 O.D. X 1 I.D. X 1.625 LG.
29	1	A-1083726-3	X	SPACER 1 1/2 O.D. X 1 I.D. X .500 LG.
28	2	A-1083726-9	X	SPACER 1 1/2 O.D. X 1 I.D. X .745 LG.
27	1	A-1083726-8	X	SPACER 1 1/2 O.D. X 1 I.D. X 1.125 LG.
26	2	4267-9	X	SPACER 1 1/2 O.D. X 1 I.D. X .250 LG.
25	1	A-1083726-7	X	SPACER 1 1/2 O.D. X 1 I.D. X 1.824 LG.
24	1	A-1083726-6	X	SPACER 1 1/2 O.D. X 1 I.D. X 2.154 LG.
23	1	A-108376-5	X	SPACER 1 1/2 O.D. X 1 I.D. X 3.781 LG.
22	1	A-1083726-1	X	SPACER 1 1/2 O.D. X 1 I.D. X .780 LG.
21	1	B-1083728	X	SHAFT - LOWER SLITTER
20	1	B-1083727	X	SHAFT - UPPER SLITTER
19	1	B-1083731	X	SHAFT - TRANSFER
18	1	B-1083730	X	SHAFT - SPEED REDUCTION
17	1	B-1083729	X	SHAFT - DRIVE PICKUP
16	10		X	BOLT 3/8-24 X 1 LG. HHCS
15	7	4219-9	X	END CAP WASHER 1 3/4 OD
14	7		X	KEY 1/4 SQ. X 3/8 LG.
13	4		X	KEY 1/4 SQ. X 1/2 LG.
12	4	A-1083719	X	SLITTER KNIFE
11	1	B-1083714	X	BEARING BLOCK TIE PLATE
10	1	EP 511072	X	ROLLER CLUTCH BEARING ASSY
9	1	EP 511019	X	INNER RACE IR162016
8	8	EP 511005	X	INNER RACE IR1612
7	10	EP 511004	X	TORRINGTON NEEDLE BEARING B-2012
6	16	EP 511078	X	AMPLEX THRUST RACE TT1709-01
5	1	A-1083743	X	UPPER SLITTER GEAR
4	4	A-1083725	X	3.00 P.D. GEAR
3	2	A-1083724	X	2.50 P.D. GEAR
2	2	A-1083713	X	LOWER BEARING BLOCK
1	2	B-1083712	X	UPPER BEARING BLOCK

43	1	A-1083726-12	X	SPACER 1 1/2 O.D. X 1 I.D. X .173 LG.
42	1	A-1083750	X	SHEET GUIDE DEFLECTOR
41	1	A-1083742	X	SLITTER DRIVE GEAR (SPECIAL)
40	1	A-1083732-2	X	UPPER BEARING BLOCK SPREADER BAR
39	1	A-1083732-1	X	LOWER BEARING BLOCK SPREADER BAR
38	1	D-1083715	X	TRANSFER SHEET GUIDE ASSY
37	1	A-1083723	X	BEARING BLOCK TIE BAR
36	1	EP 511076	X	INNER RACE IR162020
35	3	4219-1	X	END CAP WASHER 1 1/4 O.D.
34	1	A-1083721	X	LOWER BEARING BLOCK SPREADER PLATE
33	1	A-1083720	X	UPPER BEARING BLOCK SPREADER PLATE
32	1	A-1083726-4	X	SPACER 1 1/2 O.D. X 1 I.D. X .830 LG.
31	1	A-1083726-11	X	SPACER 1 1/2 O.D. X 1 I.D. X 2.750 LG.

REV. C 10/5/01 PLB ITEM 6 WAS 20 REQ'D, ITEM 7 WAS 10 REQ'D, ITEM 8 WAS 8 REQ'D,  
 ITEM 9 WAS 4 REQ'D OF B-1612 BRG., ITEM 22 WAS 785 LG., ITEM 24 WAS 2.092 LG.  
 ITEM 25 WAS 1.830 LG., ITEM 29 WAS 509 LG., ADDED ITEM 36, DEL. ITEMS 44 & 45.  
 REV. B 6/18/01 PLB ITEM 15 WAS 4219-1 & 10 REQ'D, ITEM 23 WAS 3.722 LG.,  
 ITEM 35 WAS 1083722-1, ITEM 36 WAS 1083722-2, ADDED ITEMS 43,44, & 45  
 REV. A 3/23/00 PLB ITEM 26 WAS A-1083726-2, ITEM 22 WAS .850 LG.

ENGEL ST. LOUIS, MO. DATE 8/12/99 SCALE 1/2 DRAWN PLB CHECKED TNS PUR MAKE DISK PB-24 DESCRIPTION SLITTER HOUSING SUB-ASSY DWG. NO. C-1083544



30	1	A-1083726-10	X	SPACER 1 1/2 O.D. X 1 I.D. X 1.625 LG.
29	1	A-1083726-3	X	SPACER 1 1/2 O.D. X 1 I.D. X .509 LG.
28	2	A-1083726-9	X	SPACER 1 1/2 O.D. X 1 I.D. X .745 LG.
27	1	A-1083726-8	X	SPACER 1 1/2 O.D. X 1 I.D. X 1.125 LG.
26	2	4267-9	X	SPACER 1 1/2 O.D. X 1 I.D. X .250 LG.
25	1	A-1083726-7	X	SPACER 1 1/2 O.D. X 1 I.D. X 1.830 LG.
24	1	A-1083726-6	X	SPACER 1 1/2 O.D. X 1 I.D. X 2.092 LG.
23	1	A-108376-5	X	SPACER 1 1/2 O.D. X 1 I.D. X 3.781 LG.
22	1	A-1083726-1	X	SPACER 1 1/2 O.D. X 1 I.D. X .785 LG.
21	1	B-1083728	X	SHAFT - LOWER SLITTER
20	1	B-1083727	X	SHAFT - UPPER SLITTER
19	1	B-1083731	X	SHAFT - TRANSFER
18	1	B-1083730	X	SHAFT - SPEED REDUCTION
17	1	B-1083729	X	SHAFT - DRIVE PICKUP
16	10		X	BOLT 3/8-24 X 1 LG. HHCS
15	7	4219-9	X	END CAP WASHER 1 3/4 OD
14	7		X	KEY 1/4 SQ. X 3/8 LG.
13	4		X	KEY 1/4 SQ. X 1/2 LG.
12	4	A-1083719	X	SLITTER KNIFE
11	1	B-1083714	X	BEARING BLOCK TIE PLATE
10	1	EP 511072	X	ROLLER CLUTCH BEARING ASSY
9	4		X	TORRINGTON NEEDLE BEARING B-1612
8	6	EP 511005	X	INNER RACE IR1612
7	6	EP 511004	X	TORRINGTON NEEDLE BEARING B-2012
6	20	EP 511078	X	AMPLEX THRUST RACE TT1709-01
5	1	A-1083743	X	UPPER SLITTER GEAR
4	4	A-1083725	X	3.00 P.D. GEAR
3	2	A-1083724	X	2.50 P.D. GEAR
2	2	A-1083713	X	LOWER BEARING BLOCK
1	2	B-1083712	X	UPPER BEARING BLOCK

45	1	A-1083726-14	X	SPACER 1 1/2 O.D. X 1 I.D. X .200 LG.
44	1	A-1083726-13	X	SPACER 1 1/2 O.D. X 1 I.D. X .175 LG.
43	1	A-1083726-12	X	SPACER 1 1/2 O.D. X 1 I.D. X .173 LG.
42	1	A-1083750	X	SHEET GUIDE DEFLECTOR
41	1	A-1083742	X	SLITTER DRIVE GEAR (SPECIAL)
40	1	A-1083732-2	X	UPPER BEARING BLOCK SPREADER BAR
39	1	A-1083732-1	X	LOWER BEARING BLOCK SPREADER BAR
38	1	D-1083715	X	TRANSFER SHEET GUIDE ASSY
37	1	A-1083723	X	BEARING BLOCK TIE BAR
36				
35	3	4219-1	X	END CAP WASHER 1 1/4 O.D.
34	1	A-1083721	X	LOWER BEARING BLOCK SPREADER PLATE
33	1	A-1083720	X	UPPER BEARING BLOCK SPREADER PLATE
32	1	A-1083726-4	X	SPACER 1 1/2 O.D. X 1 I.D. X .830 LG.
31	1	A-1083726-11	X	SPACER 1 1/2 O.D. X 1 I.D. X 2.750 LG.

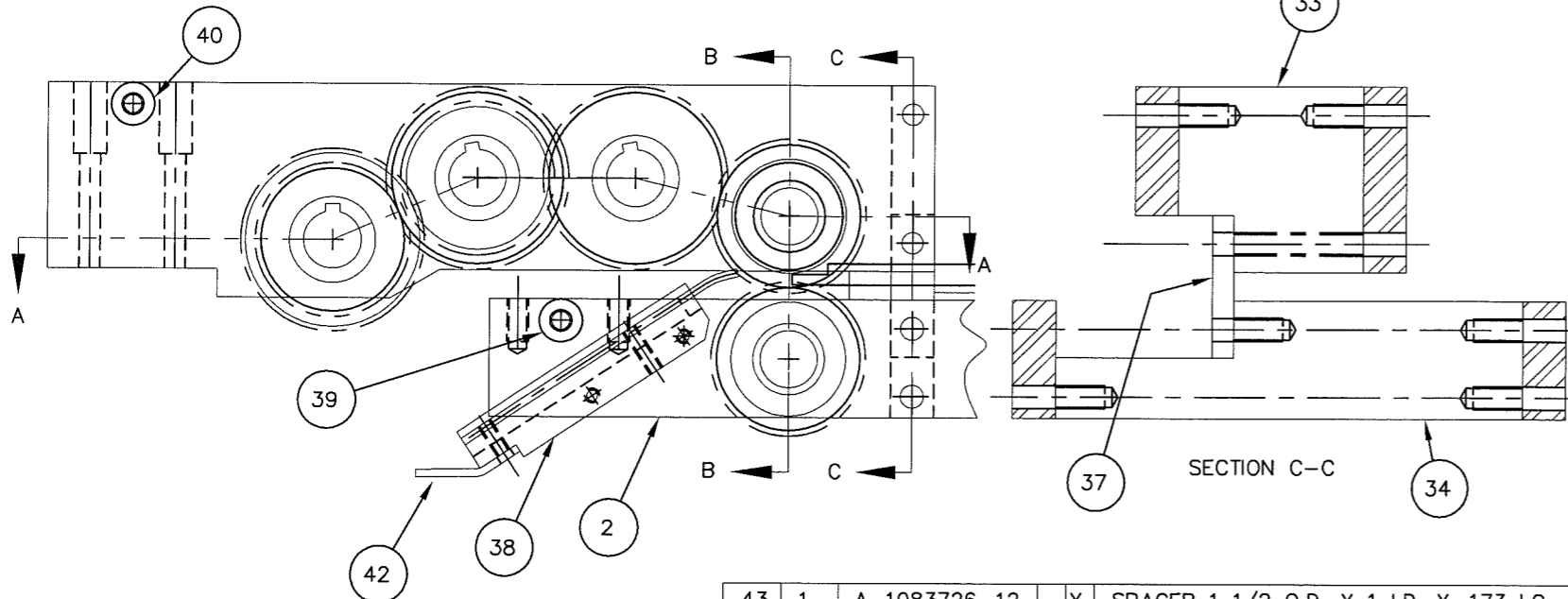
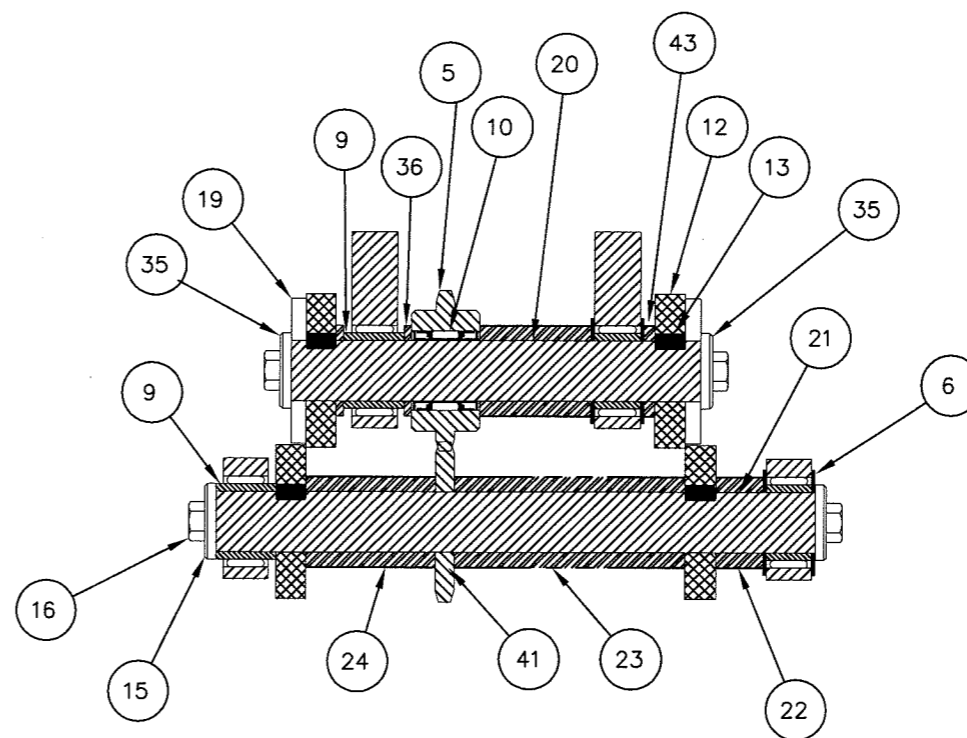
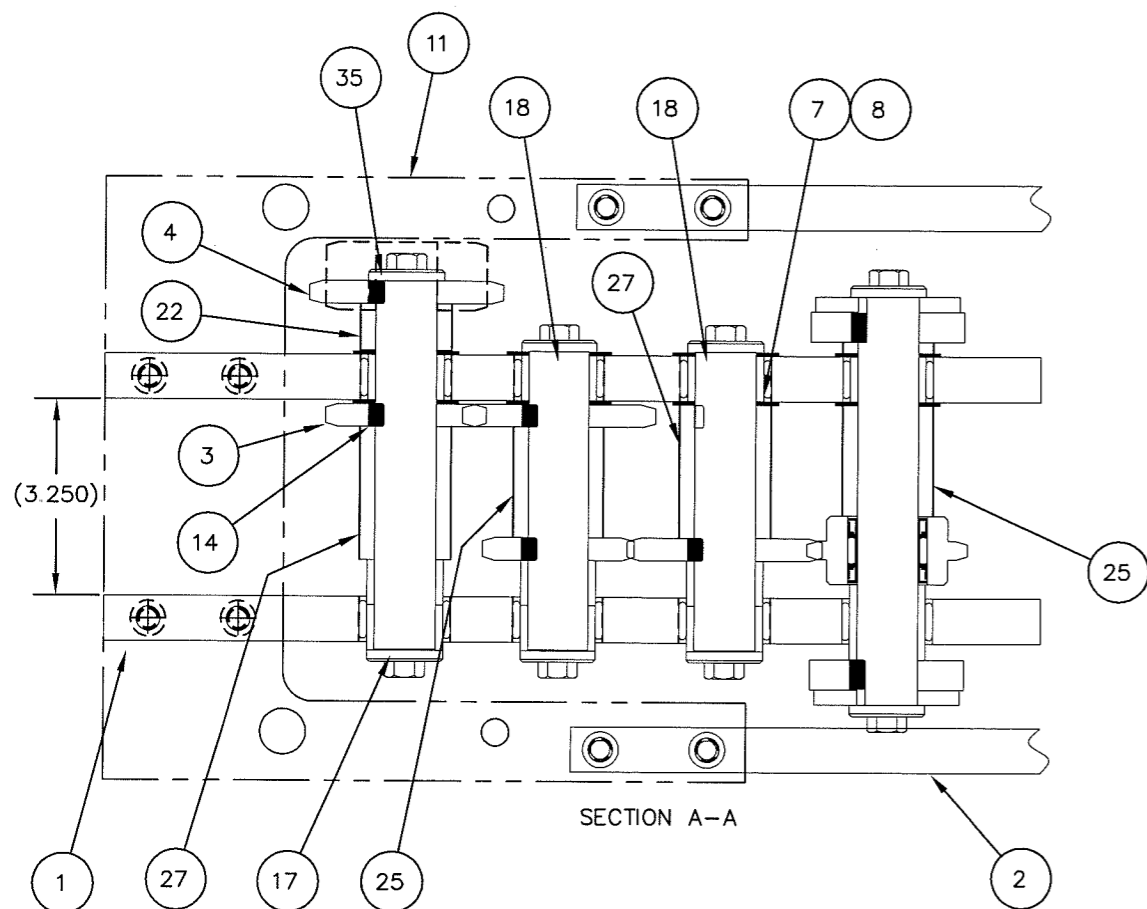
ITEM REQ'D PUR MAKE DISK PB-24 DESCRIPTION

DATE 8/12/99  
SCALE 1/2  
DRAWN PLB  
CHECKED FJS  
ST. LOUIS, MISSOURI

SLITTER HOUSING SUB-ASSY

DWG. NO. C-1083544

REV. B 6/18/01 PLB ITEM 15 WAS 4219-1 & 10 REQ'D, ITEM 23 WAS 3.722 LG.,  
ITEM 35 WAS 1083722-1, ITEM 36 WAS 1083722-2, ADDED ITEMS 43,44, & 45  
REV. A 3/23/00 PLB ITEM 26 WAS A-1083726-2, ITEM 22 WAS .850 LG.



SECTION B-B

30				
29				
28	1	B-1083712-1	X	UPPER BEARING BLOCK
27	2	A-1083726-8	X	SPACER 1 1/2 O.D. X 1 I.D. X 2.200 LG.
26				
25	2	A-1083726-7	X	SPACER 1 1/2 O.D. X 1 I.D. X 1.824 LG.
24	1	A-1083726-6	X	SPACER 1 1/2 O.D. X 1 I.D. X 2.154 LG.
23	1	A-1083726-5	X	SPACER 1 1/2 O.D. X 1 I.D. X 3.781 LG.
22	2	A-1083726-1	X	SPACER 1 1/2 O.D. X 1 I.D. X .780 LG.
21	1	B-1083728	X	SHAFT - LOWER SLITTER
20	1	B-1083727	X	SHAFT - UPPER SLITTER
19	2	B-1085246	X	TRIMMER WHEEL
18	2	B-1083730	X	SHAFT - SPEED REDUCTION
17	1	B-1083729	X	SHAFT - DRIVE PICKUP
16	10		X	BOLT 3/8-24 X 1 LG. HHCS
15	7	EP 511193	X	END CAP WASHER 1 3/4 OD (4219-9)
14	7		X	KEY 1/4 SQ. X 3/8 LG.
13	4		X	KEY 1/4 SQ. X 1/2 LG.
12	4	A-1083719	X	SLITTER KNIFE
11	1	B-1083714	X	BEARING BLOCK TIE PLATE
10	1	EP 511072	X	ROLLER CLUTCH BEARING ASSY
9	2	EP 511019	X	INNER RACE IR162016
8	11	EP 511005	X	INNER RACE IR1612
7	10	EP 511004	X	TORRINGTON NEEDLE BEARING B-2012
6	16	EP 511078	X	AMPLEX THRUST RACE TT1709-01
5	1	A-1083743	X	UPPER SLITTER GEAR
4	3	A-1083725	X	3.00 P.D. GEAR
3	2	A-1083724	X	2.50 P.D. GEAR
2	2	A-1083713	X	LOWER BEARING BLOCK
1	1	B-1083712	X	UPPER BEARING BLOCK
ITEM	REQ'D	PUR MAKE	DISK PB-108	DESCRIPTION REF DISK PB-24

43	1	A-1083726-12	X	SPACER 1 1/2 O.D. X 1 I.D. X .173 LG.
42	1	A-1083750	X	SHEET GUIDE DEFLECTOR
41	1	A-1083742	X	SLITTER DRIVE GEAR (SPECIAL)
40	1	A-1083732-2	X	UPPER BEARING BLOCK SPREADER BAR
39	1	A-1083732-1	X	LOWER BEARING BLOCK SPREADER BAR
38	1	D-1083715	X	TRANSFER SHEET GUIDE ASSY
37	1	A-1083723	X	BEARING BLOCK TIE BAR
36	2	EP 511029	X	THRUST WASHER TRD-1625
35	3	EP 511195	X	END CAP WASHER 1 1/4 O.D. (4219-1)
34	1	A-1083721	X	LOWER BEARING BLOCK SPREADER PLATE
33	1	A-1083720	X	UPPER BEARING BLOCK SPREADER PLATE
32				
31				

REV. C 10/5/01 PLB ITEM 4 WAS 4 REQ'D, ITEM 6 WAS 20 REQ'D, ITEM 7 WAS 10 REQ'D,  
 ITEM 8 WAS 6 REQ'D, ITEM 9 WAS 4 REQ'D OF B-1612 BRG., ITEM 18 WAS 1 REQ'D,  
 ITEM 22 WAS .785 & 1 REQ'D, ITEM 24 WAS 2.092 LG., ITEM 25 WAS 1.830 & 1 REQ'D  
 ITEM 27 WAS .1125 LG. & 1 REQ'D, ADDED ITEM 36, DEL. ITEMS 19,26,28-32,44 & 45.  
 REV. B 6/18/01 PLB ITEM 15 WAS 4219-1 & 10 REQ'D, ITEM 23 WAS 3.722 LG.,  
 ITEM 35 WAS 1083722-1, ITEM 36 WAS 1083722-2, ADDED ITEMS 43,44, & 45  
 REV. A 3/23/00 PLB ITEM 26 WAS A-1083726-2, ITEM 22 WAS .850 LG.

ENGEL ST. LOUIS, MO. DATE 8/12/99 SCALE 1/2 DRAWN PLB CHECKED NLS ASSY NO. FOUR DWG. NO. C-1083544